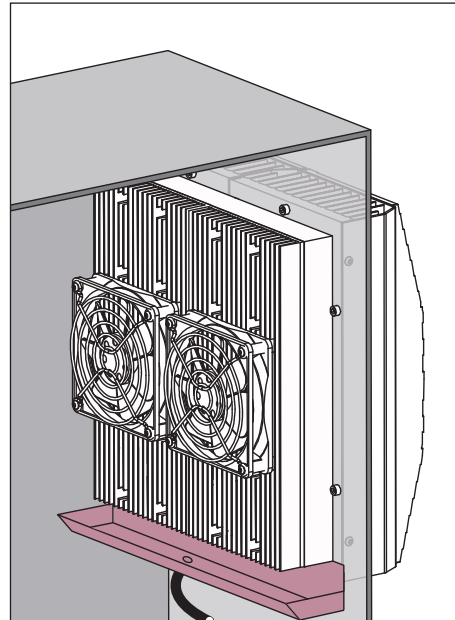
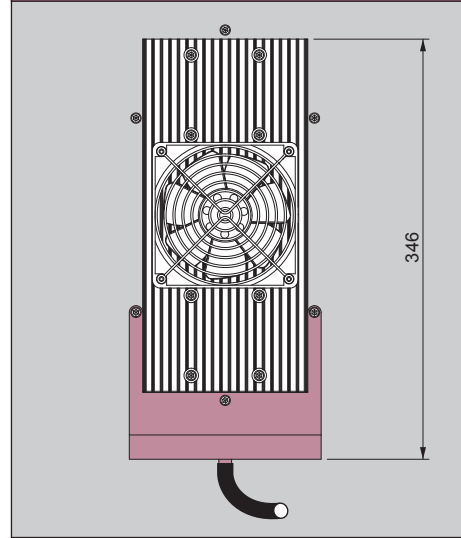
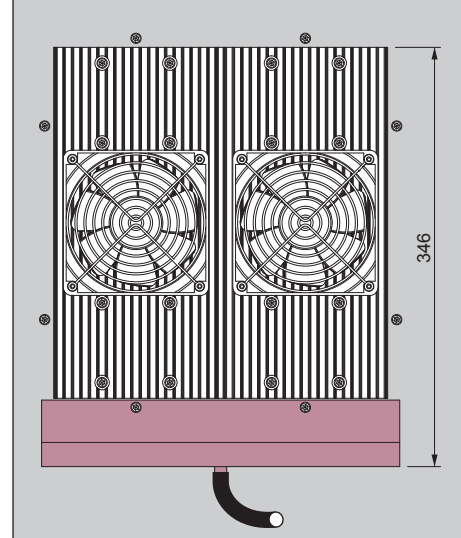


TCU50 and TCU100
max. height with drip tray



TCU200 / TCU200AC
max. height with drip tray



Model numbering system for DC THERMOELECTRIC UNITS

<i>description</i>	TCU 100 24 40 IP55 - 7035	<i>description</i>
FAMILY TCU		COLOUR 7035 = grey RAL 7035
COOLING POWER 50 = 50 W 100 = 100 W 200 = 200 W		IP protection degree of the external side
VOLTAGE 12 = 12 Vd.c. 24 = 24 Vd.c. 48 = 48 Vd.c.		SERIES 40 = standard

Model numbering system for AC THERMOELECTRIC UNITS

<i>description</i>	TCU 200 AC 40 - SIP	<i>description</i>
FAMILY TCU		CUSTOM SERIES S** = custom version
COOLING POWER 200 = 200 W		
VOLTAGE AC = Va.c.		SERIES 40 = standard