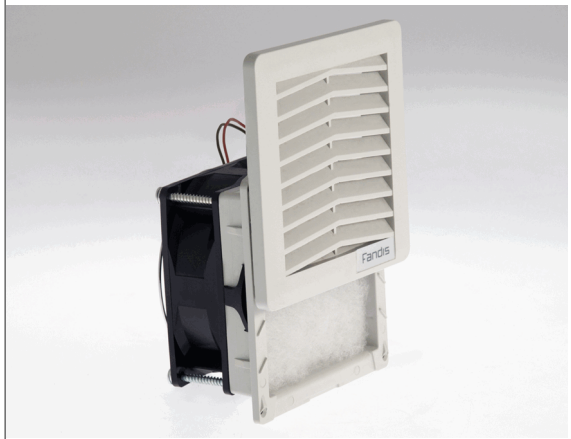


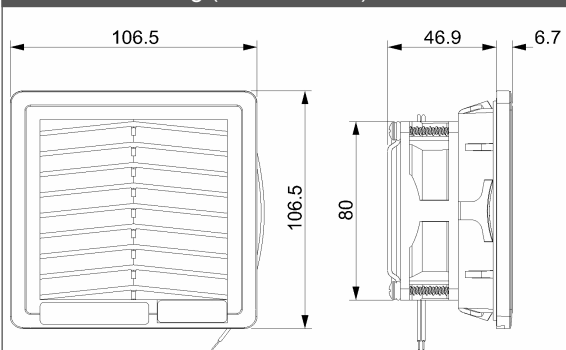
"FF08DN" SERIES FAN FILTERS

Description: Fan Filter 12/24 Vd.c.

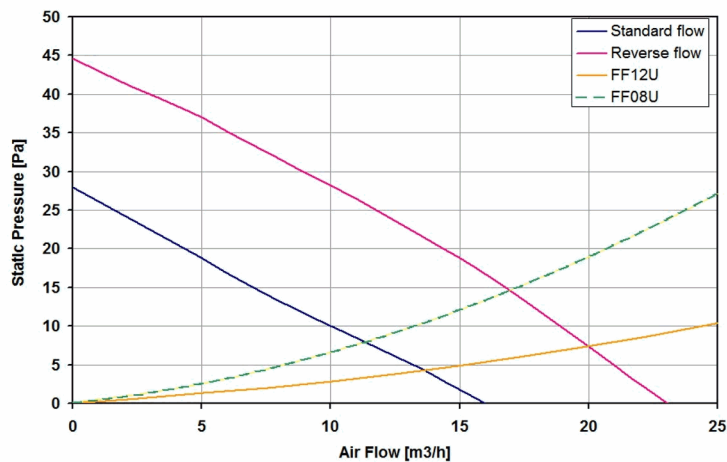
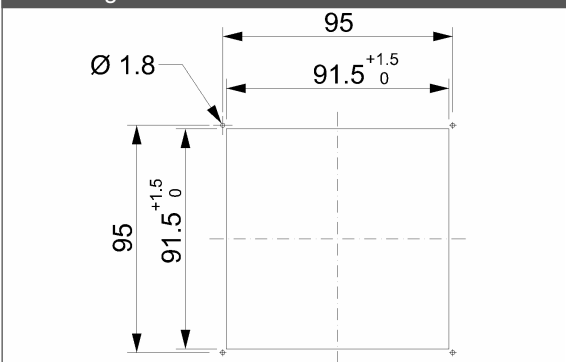


Type of material:	PC/ABS Alloy, PA 66 GF13 HSL for elastic clips
Standard color:	RAL 7035, other colors on request
Protection degree:	IP54, according to EN 60529 std Type 12, according to UL 508 std
Fixing system:	by elastic clips
Plate thickness:	from 1 mm to 2 mm
Storage temperature:	from -40°C to +70°C
Motor Lifetime L10 at 25°C (approx.):	100,000 h
Motor protection:	auto restart and polarity protection
Electrical connection:	by 2 wires +(red), -(black), 26 AWG
Appliance class:	class III
Type of filter media:	thermo-linked progressive structure synthetic fibre
Filtering class:	class G3, according to EN 779
Degree of separation:	85% - DIN 24185
Dust retention capacity:	600 g/m ²
Note:	filter media is washable about 10 times
Weight:	0.35 Kg
Approvals:	CE; UL E237844; CSA

technical drawing (standard flow)



mounting cut-out



Model	Voltage (V)	Frequency (Hz)	Rated Current (A)	Rated Power (W)	Max Air Flow** (m ³ /h)	Static Pressure (Pa)	Fan Noise [db(A)]	Rated Temp. Range (°C)	Approvals
FF08D12UN	12 V d.c.	-	0.170	2.0	16	28	30.0	-10 + +55	CE; cURus; cCSAus
FF08D12UNR	12 V d.c.	-	0.184	2.2	23	44	30.0	-10 + +55	CE; cURus; cCSAus
FF08D24UN	24 V d.c.	-	0.085	2.0	16	28	30.0	-10 + +55	CE; cURus; cCSAus
FF08D24UNR	24 V d.c.	-	0.092	2.2	23	44	30.0	-10 + +55	CE; cURus; cCSAus

data with uncertainty of 15%

All specifications, data and drawing are subject to change without notice. Please refer to our terms of sales including our warranty and limited liabilities clauses.