

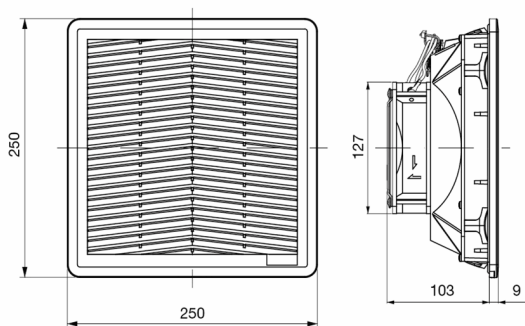
"FF15MA" SERIES FAN FILTERS

Description: **Fan Filters 115/230 Va.c.**

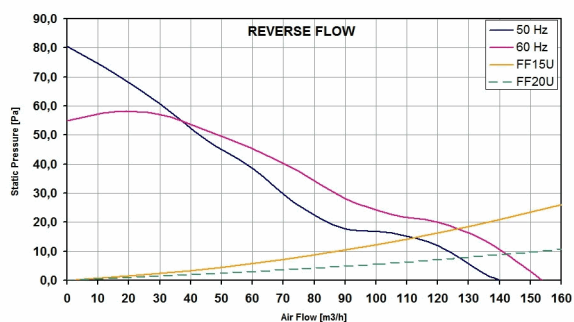
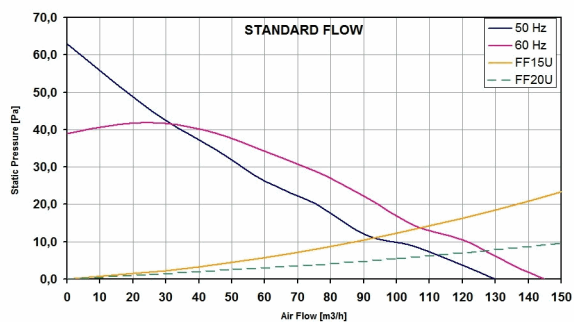
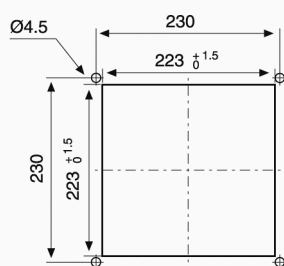


- Type of material:** PC/ABS Alloy, PA 66 GF13 HSL for elastic clips
- Standard color:** RAL 7035, other colors on request
- Protection degree:** IP54, according to EN 60529 Std
- Fixing system:** by elastic clips
- Plate thickness:** from 1.3 mm to 3.7 mm (up to 4 mm with cut-out max tolerance)
- Storage temperature:** from -40°C to +70°C
- Motor Lifetime L10 at 25°C:** 80,000 h
- Motor protection:** impedance
- Electrical connection:** by screwless terminal block 3 poles L-N-PE, 2.5 mm² (20-14 AWG)
- Earth connection:** by PE pole
- Appliance class:** class I
- Type of filter media:** thermo-linked progressive structure synthetic fibre
- Filtering class:** class G3, according to EN 779
- Degree of separation:** 85% - DIN 24185
- Dust retention capacity:** 600 g/m²
- Note:** filter media is washable about 10 times
- Weight:** 1.2 Kg

technical drawing (standard flow)



mounting cut-out



Model	Voltage (V)	Frequency (Hz)	Rated Current (A)	Rated Power (W)	Max Air Flow** (m3/h)	Static Pressure (Pa)	Fan Noise [db(A)]	Rated Temp. Range (°C)	Approvals
FF15MA115UF	115 V a.c.	50/60	0.230/0.190	16/15	130/145	63/39	46.0/50.0	-10 + +60	CE
FF15MA115UFR	115 V a.c.	50/60	0.230/0.190	16/15	140/155	80/55	46.0/50.0	-10 + +60	CE
FF15MA230UF	230 V a.c.	50/60	0.140/0.130	21/20	130/145	63/39	46.0/50.0	-10 + +60	CE
FF15MA230UFR	230 V a.c.	50/60	0.140/0.130	21/20	140/155	80/55	46.0/50.0	-10 + +60	CE

data with uncertainty of 15%

All specifications, data and drawing are subject to change without notice. Please refer to our terms of sales including our warranty and limited liabilities clauses.