

**"FF15PD" SERIES FAN FILTERS**

Description: **Fan Filters 24/48 Vd.c.**



**Type of material:** PC/ABS Alloy, PA 66 GF13 HSL for elastic clips

**Standard color:** RAL 7035, other colors on request

**Protection degree:** IP54, according to EN 60529 Std  
Type 12, according to UL 508 Std

**Fixing system:** by elastic clips

**Plate thickness:** from 1.3 mm to 3.7 mm (up to 4 mm with cut-out max tolerance)

**Storage temperature:** from -40°C to +70°C

**Motor Lifetime L10 at 25°C:** 100,000 h

**Motor protection:** auto restart and polarity protection

**Electrical connection:** by screwless terminal block, 2.5 mm<sup>2</sup> (20 - 14 AWG)

**Appliance class:** class III

**Type of filter media:** thermo-linked progressive structure synthetic fibre

**Filtering class:** class G3, according to EN 779

**Degree of separation:** 85% - DIN 24185

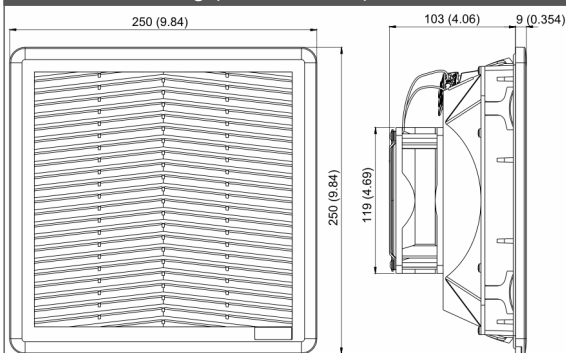
**Dust retention capacity:** 600 g/m<sup>2</sup>

**Note:** filter media is washable about 10 times

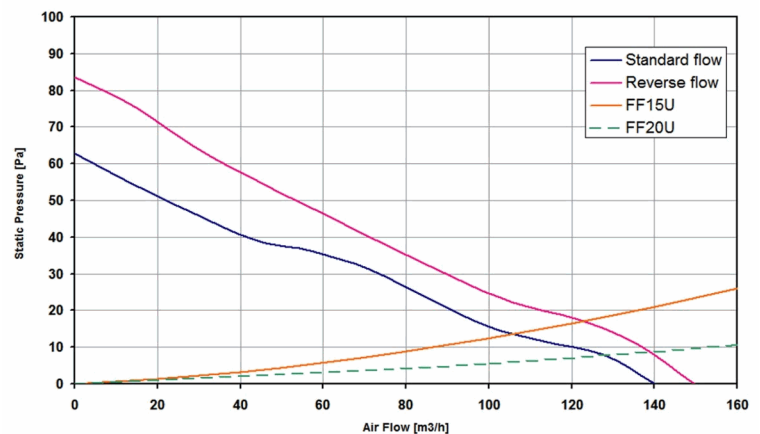
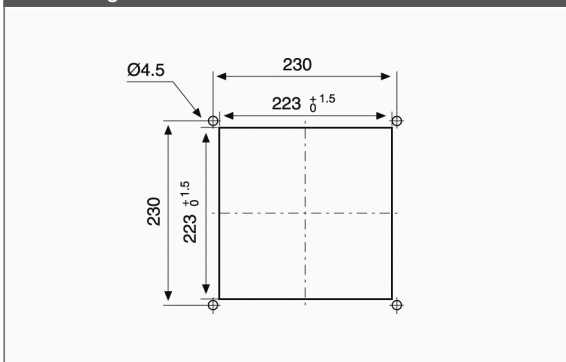
**Weight:** 1.20 Kg

**Approvals:** CE; UL E237844; CSA

**technical drawing (standard flow)**



**mounting cut-out**



Model	Voltage (V)	Frequency (Hz)	Rated Current (A)	Rated Power (W)	Max Air Flow** (m <sup>3</sup> /h)	Static Pressure (Pa)	Fan Noise [db(A)]	Rated Temp. Range (°C)	Approvals
FF15PD24UN	24 V d.c.	-	0.320	7.6	140	62	42.5	-10 + +55	CE; UR; cCSAus
FF15PD24UNR	24 V d.c.	-	0.320	7.6	150	84	42.5	-10 + +55	CE; UR; cCSAus
FF15PD48UN	48 V d.c.	-	0.180	8.6	140	62	42.5	-10 + +55	CE; UR; cCSAus
FF15PD48UNR	48 V d.c.	-	0.180	8.6	150	84	42.5	-10 + +55	CE; UR; cCSAus

data with uncertainty of 15%

All specifications, data and drawing are subject to change without notice. Please refer to our terms of sales including our warranty and limited liabilities clauses.