

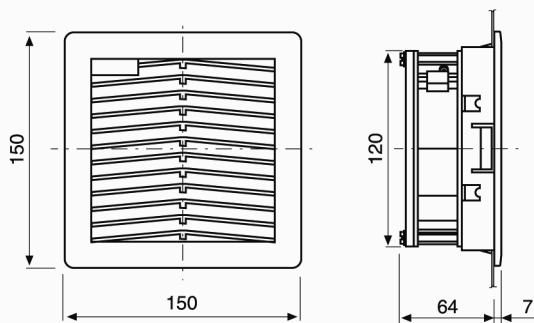
"FPF12K" SERIES FAN FILTERS

Description: **Fan Filter 24/115/230 Va.c.**



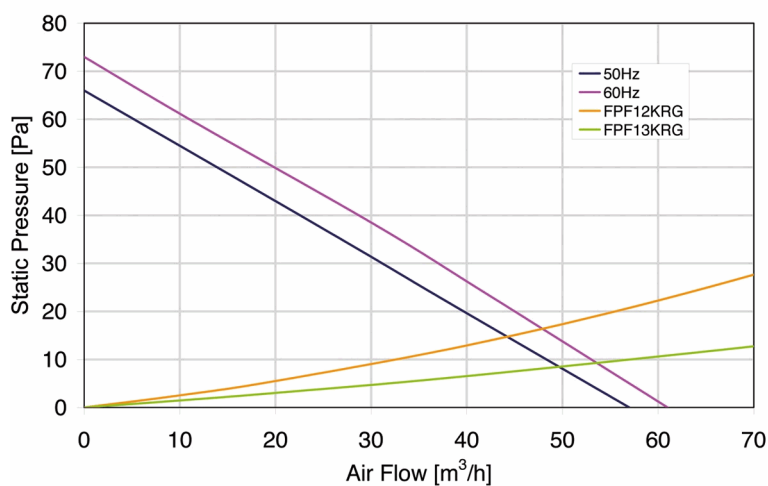
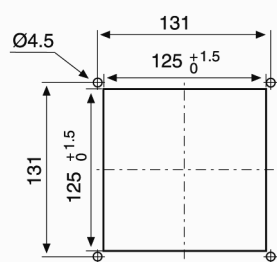
Type of material:	ABS/PC alloy
Standard color:	RAL 7032, RAL 7035 and RAL 9005 - other colors on request
Protection degree:	IP54, according to EN 60529 Std; Type 12, according to UL 508 Std
Fixing system:	by elastic hooks, otherwise by four 4.8 mm self-threading screws
Plate thickness:	from 1.5 mm to 2.2 mm
Storage temperature:	from -40°C to +70°C
Motor Lifetime L10 at 40°C (approx.):	45,000 h
Motor protection:	impedance
Electrical connection:	by terminal block 2 poles L-N, 2.5 - 4 mm ²
Earth connection:	by M4 thread hole on fan's casing
Appliance class:	class III for 24V, class I for other voltage
Type of filter media:	thermo-linked progressive structure syntetich fibre
Filtering class:	class G3, according to EN 779
Degree of separation:	85% - DIN 24185
Dust retention capacity:	600 g/m ²
Note:	filter media is washable for about 10 times
Weight:	0.8Kg
Approvals:	CE, UL E237844

technical drawing



IP 55

mounting cut-out



Model	Voltage	Frequency	Rated Current	Rated Power	Max Air Flow**	Static Pressure	Fan Noise	Rated Temp. Range	Approvals
	(V)	(Hz)	(A)	(W)	(m3/h)	(Pa)	[db(A)]	(°C)	
FPF12K*115BE-110	115 V a.c.	50/60	0.210/0.180	20/18	57/61	66/73	46.0/49.0	-10 + +50	CE; cURus
FPF12K*115BER-110	115 V a.c.	50/60	0.210/0.180	20/18	57/61	66/73	46.0/49.0	-10 + +50	CE; cURus
FPF12K*230BE-110	230 V a.c.	50/60	0.125/0.110	20/19	57/61	66/73	46.0/49.0	-10 + +50	CE; cURus
FPF12K*230BER-110	230 V a.c.	50/60	0.125/0.110	20/19	57/61	66/73	46.0/49.0	-10 + +50	CE; cURus
FPF12K*24BER-110	24 V a.c.	50/60	0.810/0.850	15/16	57/61	66/73	46.0/49.0	-10 + +50	CE
FPF12KR24BE-110	24 V a.c.	50/60	0.810/0.850	15/16	57/61	66/73	46.0/49.0	-10 + +50	CE

* U = RAL 7035 R = RAL 7032 N = RAL 9005 **data with uncertainty of 15%