

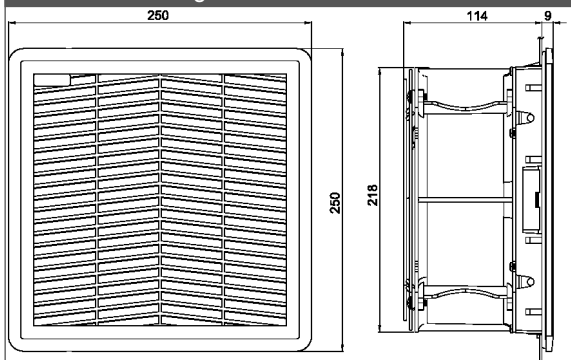
"FPF15KG" SERIES FAN FILTER

Description: **Fan Filter 115/230/400 Va.c.**

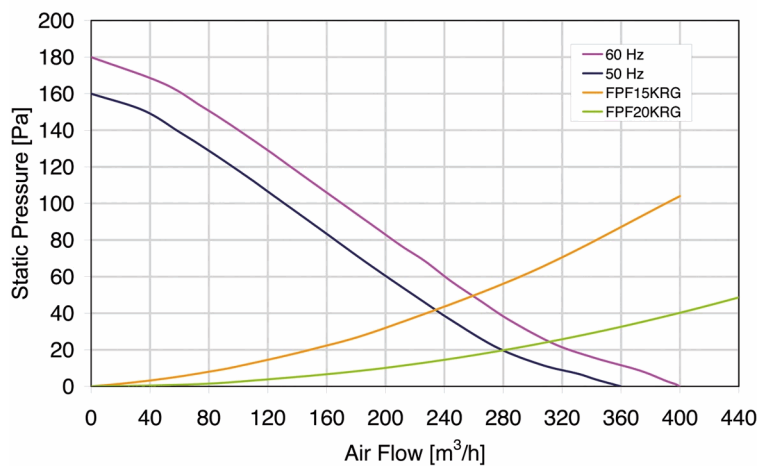
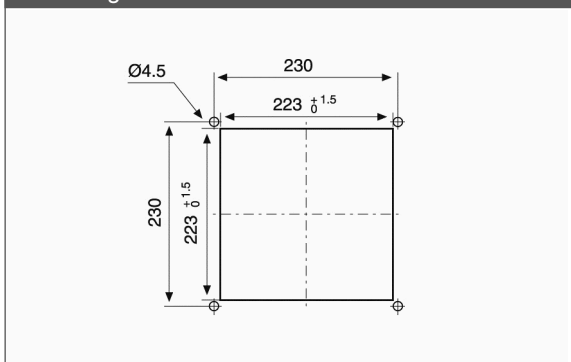


| | |
|------------------------------------|--|
| Type of material: | ABS/PC alloy |
| Standard color: | RAL 7032, RAL 7035 and RAL 9005 - other colors on request |
| Protection degree: | IP54, according to EN 60529 Std Type 12, according to UL 508 Std |
| Fixing system: | by elastic hooks, otherwise by four 4.8 mm self-threading screws |
| Plate thickness: | from 1.5 mm to 2.2 mm |
| Storage temperature: | from -30°C to +75°C |
| Motor Lifetime L10 at 25°C: | 70,000 h |
| Working class of capacitor: | class A |
| Motor protection: | thermal |
| Electrical connection: | by screwless terminal block 3 poles L-N-PE or 4 poles L1-L2-L3-PE, 2.5 mm ² (20 - 14 AWG) |
| Earth connection: | by PE pole |
| Appliance class: | Class I |
| Type of filter media: | thermo-linked progressive structure synthetic fibre |
| Filtering class: | class G3, according to EN 779 |
| Degree of separation: | 85% - DIN 24185 |
| Dust retention capacity: | 600 g/m ² |
| Note: | filter media is washable for about 10 times |
| Weight: | 3.5 Kg |
| Approvals: | CE |

technical drawing



mounting cut-out



| Model | Voltage | Frequency | Rated Current | Rated Power | Max Air Flow** | Static Pressure | Fan Noise | Rated Temp. Range | Approvals |
|---------------------|------------|-----------|---------------|-------------|----------------|-----------------|-----------|-------------------|-----------|
| | (V) | (Hz) | (A) | (W) | (m3/h) | (Pa) | [db(A)] | (°C) | |
| FPF15KG*115BE-120 | 115 V a.c. | 50/60 | 0.54/0.65 | 50/64 | 360/400 | 160/180 | 66.0/69.2 | -10 + +55 | CE |
| FPF15KG*115BER-120 | 115 V a.c. | 50/60 | 0.54/0.65 | 50/64 | 360/400 | 160/180 | 66.0/69.2 | -10 + +55 | CE |
| FPF15KG*230BE-120 | 230 V a.c. | 50/60 | 0.300/0.382 | 67/87 | 360/400 | 160/180 | 63.3/68.1 | -10 + +50 | CE |
| FPF15KG*230BER-120 | 230 V a.c. | 50/60 | 0.300/0.382 | 67/87 | 360/400 | 160/180 | 63.3/68.1 | -10 + +50 | CE |
| FPF15KG*400TBE-120 | 400 V a.c. | 50/60 | 0.140/0.130 | 71/93 | 360/400 | 160/180 | 69.8/72.7 | -10 + +55 | CE |
| FPF15KGU400TBER-120 | 400 V a.c. | 50/60 | 0.140/0.130 | 71/93 | 360/400 | 160/180 | 69.8/72.7 | -10 + +55 | CE |

* U = RAL 7035 R = RAL 7032 N = RAL 9005 **data with uncertainty of 15%