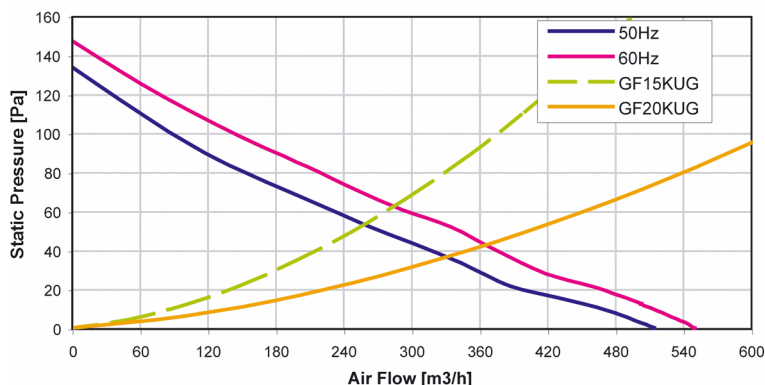
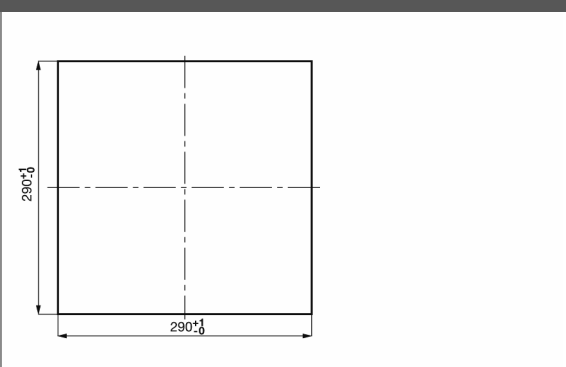
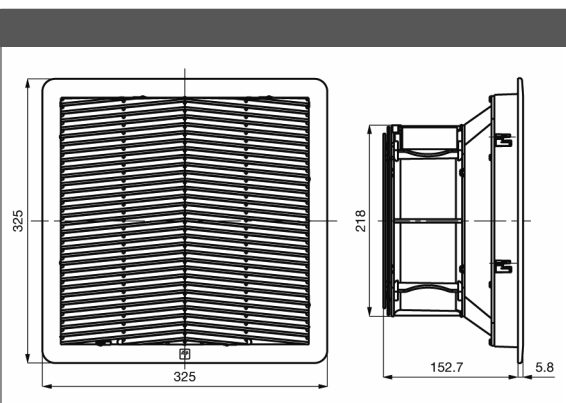


SERIES FAN FILTERS

Description: **Fan Filter 230 Va.c.**



Type of material: ABS/PC alloy
ALLOY RAL 7035 - other colors on request
Protection degree: IP54, according to EN 60529 standard
Fixing system: hook tightened by a screw (torque wrench setting 0.5 Nm)
Plate thickness: up to 8 mm and up to 16 mm by cutting the jacks
Storage temperature: from -45°C to +75°C
Motor Lifetime L10 at 40°C (approx.): 50,000 h
Motor protection: thermal
Electrical connection: by terminal block 3 poles L-N-PE or 4 poles L1-L2-L3LPE
Earth connection: (by terminal block, PE pole)
Appliance class: class I
Type of filter media: thermo-linked progressive structure synthetic fibre
Filtering class: class G3, according to EN 779
Degree of separation: 85% - DIN 24185
Dust retention capacity: 600 g/m²
Note: filter media is washable for about 10 times
Weight: 3.62 Kg
Approvals: CE



Model	Voltage (V)	Frequency (Hz)	Rated Current (A)	Rated Power (W)	Max Air Flow** (m ³ /h)	Static Pressure (Pa)	Fan Noise [db(A)]	Rated Temp. Range (°C)	Approvals
GF20KU230BE	230 V a.c.	50/60	0.300/0.360	75/85	515/550	135/150	60.0/62.0	-10 ÷ +50	CE

(**) data with uncertainty of 15%

All specifications, data and drawing are subject to change without notice and are approximate. Please refer to our terms of sales including our warranty and limited liabilities clauses.